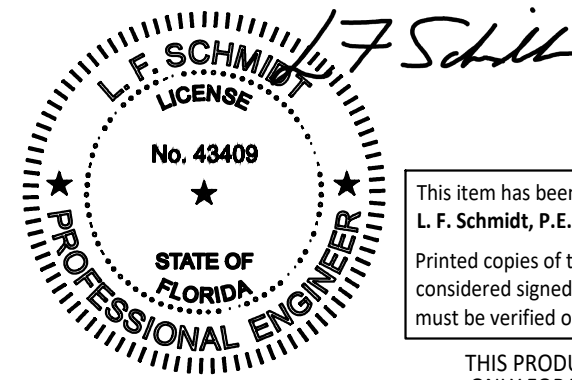


# THERMA-TRU<sup>®</sup> DOORS

Fiber-Classic<sup>®</sup> & Smooth-Star<sup>®</sup>



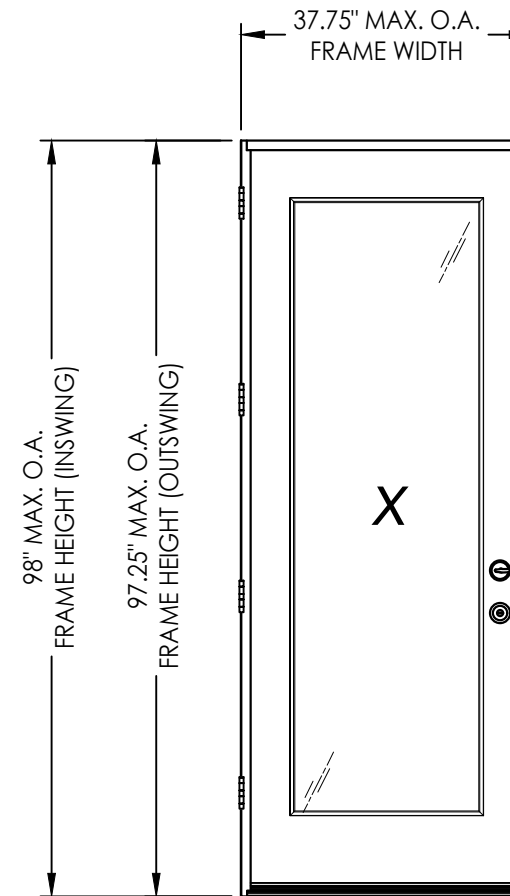
This item has been digitally signed and sealed by L. F. Schmidt, P.E. on the date adjacent to the seal. Printed copies of this document are not considered signed and sealed and the signature must be verified on any electronic copies.

THIS PRODUCT APPROVAL IS VALID ONLY FOR THE STATE OF FLORIDA

## COMPOSITE EDGE FLUSH GLAZED FIBERGLASS SINGLE DOOR INSWING/OUTSWING "IMPACT"

### GENERAL NOTES

1. This product has been evaluated and is in compliance with the 8th Edition (2023) Florida Building Code (FBC) structural requirements excluding the "High Velocity Hurricane Zone" (HVHZ).
2. Product anchors shall be as listed and spaced as shown on details. Anchor embedment to base material shall be beyond wall dressing or stucco.
3. When used in areas requiring wind borne debris protection this product complies with FBC Sections 1609.1.2 & R301.2.1.2 and does not require an impact resistant covering. This product meets missile level "D" and excludes Wind Zone 4 as defined in ASTM E1996 and FBC Sections 1609.1.2.2 & R301.2.1.2.1.
4. For 2x stud framing construction, anchoring of these units shall be the same as that shown for 2x buck masonry construction.
5. Site conditions that deviate from the details of this drawing require further engineering analysis by a licensed engineer or registered architect.
6. Fiber-Classic & Smooth-Star Door panel require the use of "J" part numbers and must be stained or painted within six months of installation.



CONFIGURATION	DESIGN PRESSURE (PSF) INSWING		DESIGN PRESSURE (PSF) OUTSWING	
	POSITIVE	NEGATIVE	POSITIVE	NEGATIVE
X	+50.0	-50.0	+50.0	-50.0

TABLE OF CONTENTS	
SHEET #	DESCRIPTION
1	Typical Elevations, Design Pressures & General Notes
2	Door Panel Details
3	Glazing Details
4	Elevations
5	Horizontal & Vertical Cross Sections (2X Buck)
6	Horizontal & Vertical Cross Sections (1X Buck)
7	Horizontal & Vertical Cross Sections (Direct to Masonry)
8	Vertical Cross Sections (Thresholds)
9	Buck & Frame Anchoring
10	Hardware Details
11	Bill of Materials & Components

Documents Prepared By:  
Lyndon F. Schmidt  
P.E. No. 43409

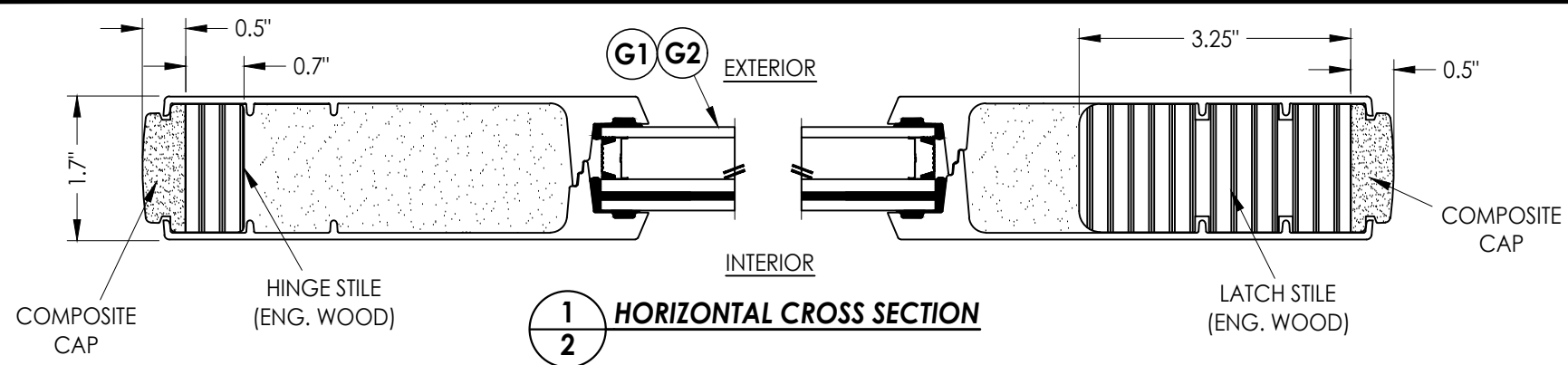
RW BUILDING CONSULTANTS, INC.  
P.O. Box 230, Valrico, FL 33595  
Phone No.: 813.659.9197  
FBPE Registry No. 9813

PRODUCT:  
THERMA-TRU  
FIBERGLASS DOOR

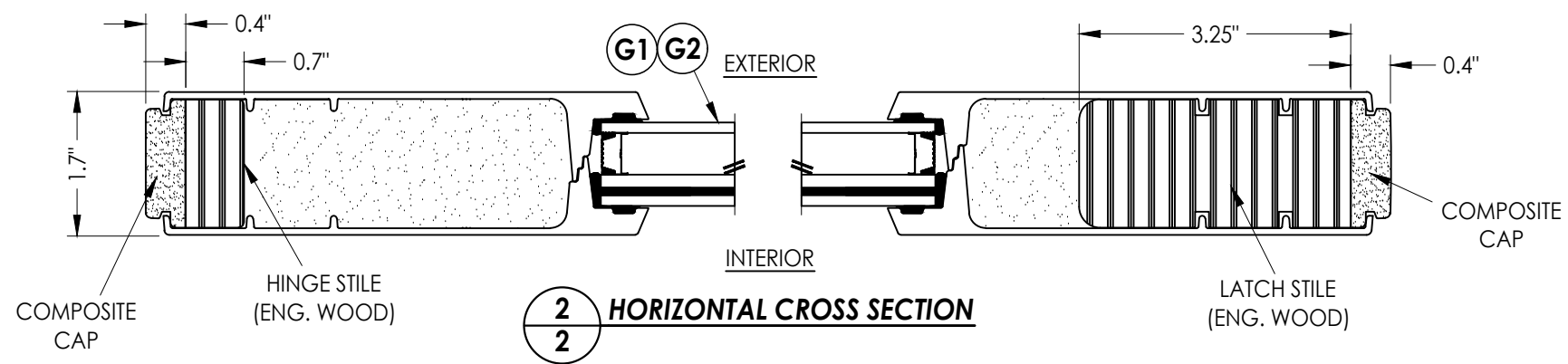
PART OR ASSEMBLY:  
TYPICAL ELEVATION, DESIGN  
PRESSURES & GENERAL NOTES

NO.	DATE	BY	REVISIONS

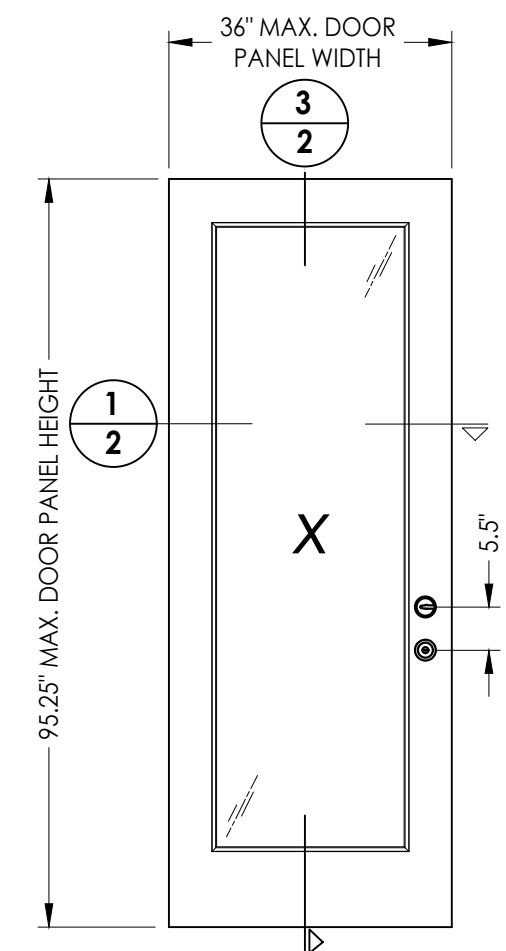
DATE: 6/17/24  
SCALE: N.T.S.  
DWG. BY: LFS  
CHK. BY: RW  
DRAWING NO.:  
FL-46832.4  
SHEET 1 OF 11



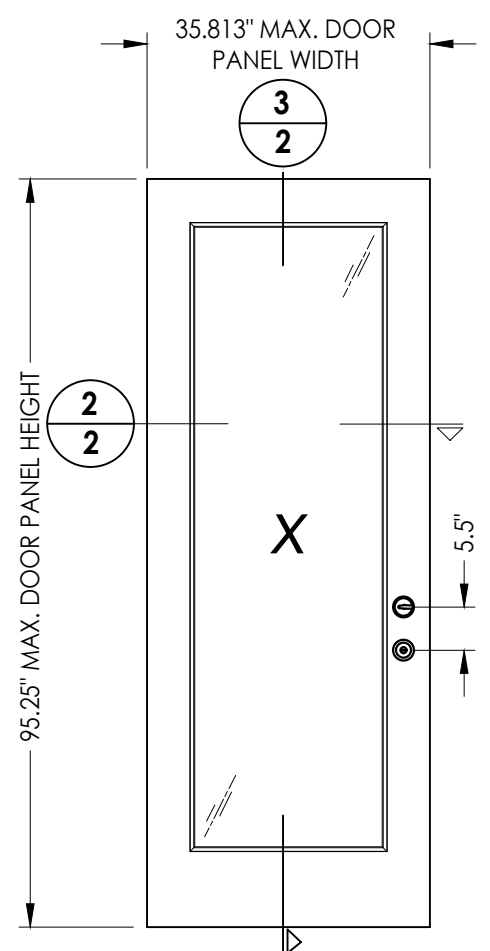
**1**  
**2** **HORIZONTAL CROSS SECTION**



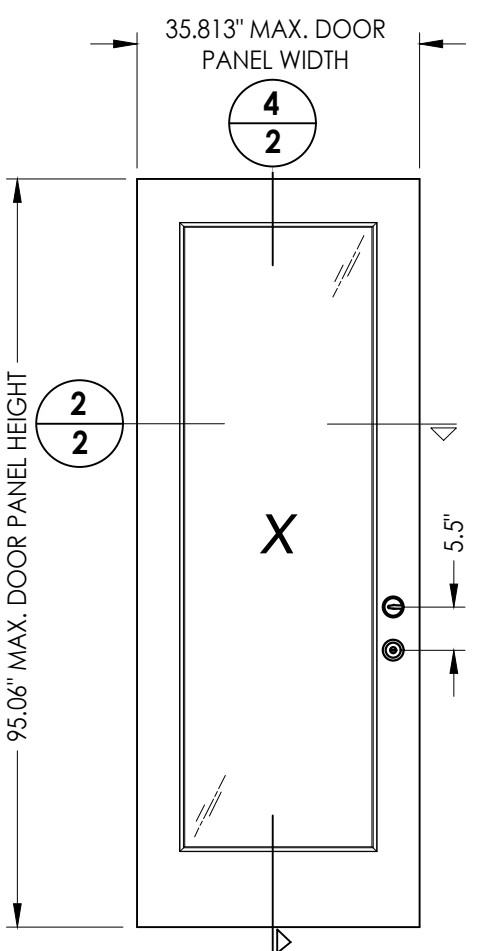
**2**  
**2** **HORIZONTAL CROSS SECTION**



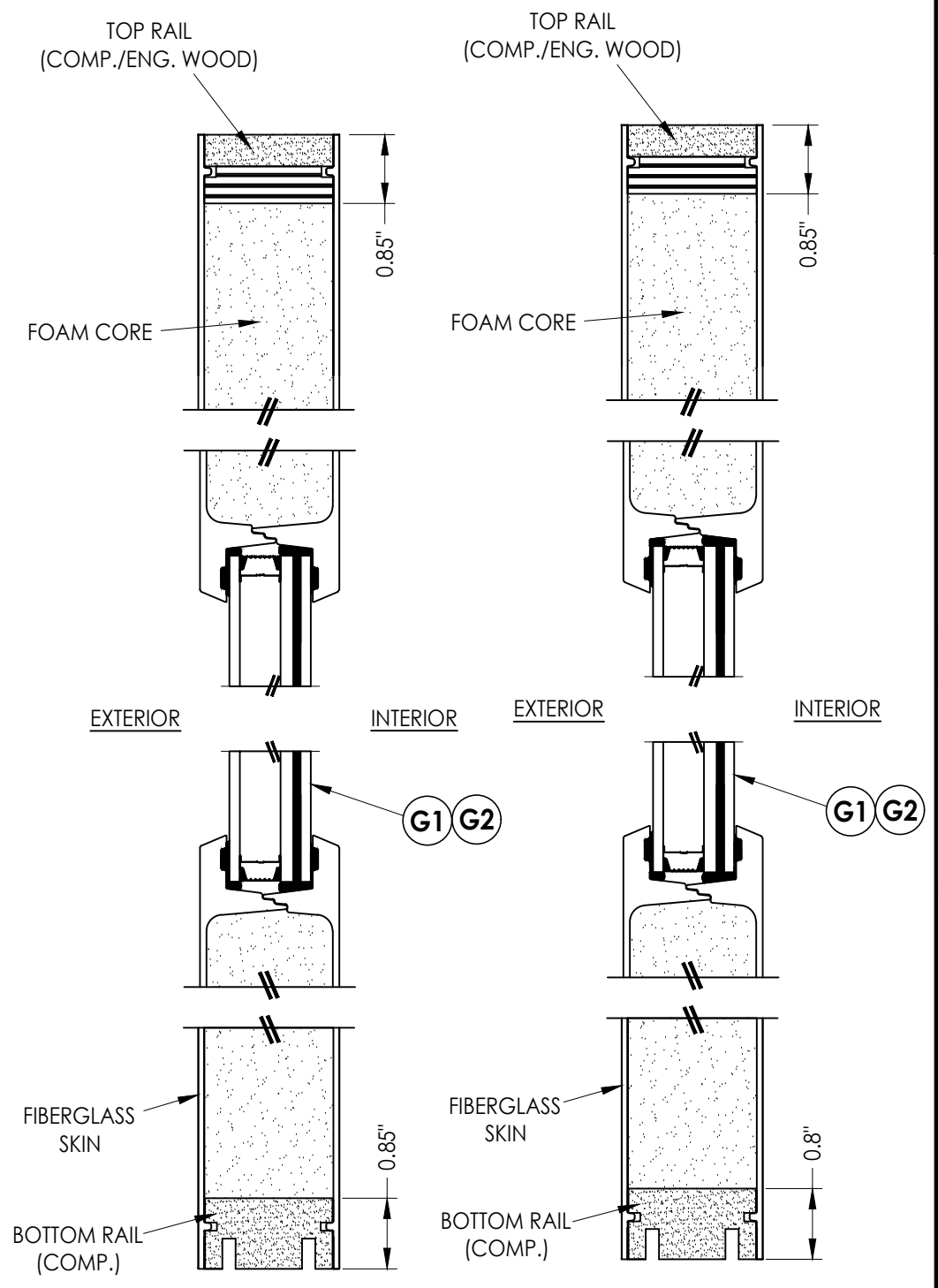
**40** **FIBERGLASS DOOR PANEL**  
BOOK DOOR - COMPOSITE EDGE



**41** **FIBERGLASS DOOR PANEL**  
HYBRID DOOR - COMPOSITE EDGE



**42** **FIBERGLASS DOOR PANEL**  
U1 DOOR - COMPOSITE EDGE



**3**  
**2** **VERTICAL CROSS SECTION**

**4**  
**2** **VERTICAL CROSS SECTION**

FIBERGLASS SKIN: 0.077" MIN. THK.  
FOAM CORE: POLYURETHANE -1.9 PCF MIN.

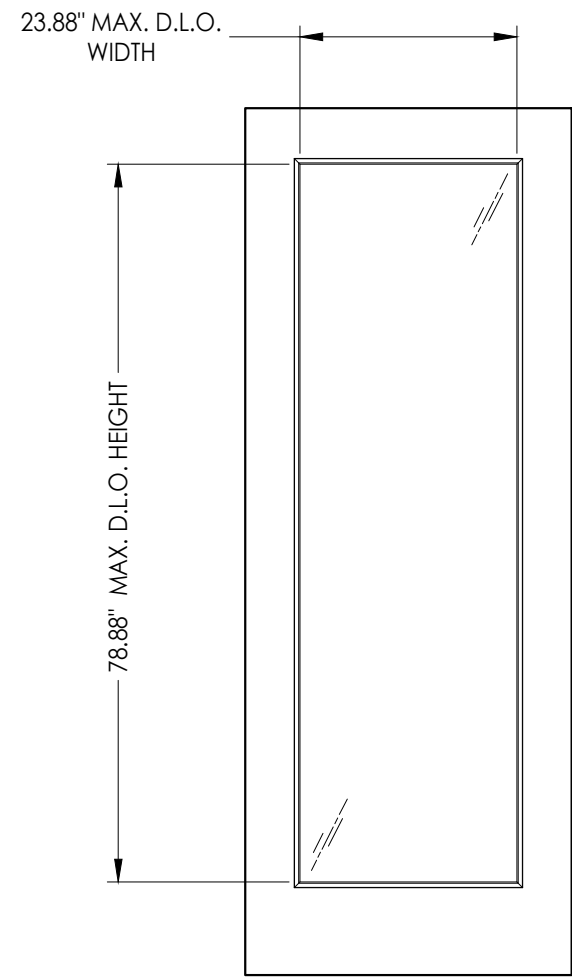
Documents Prepared By:  
Lyndon F. Schmidt  
P.E. No. 43409

**RW** BUILDING CONSULTANTS, INC.  
P.O. Box 230, Valrico, FL 33595  
Phone No.: 813.659.9197  
FBPE Registry No. 9813

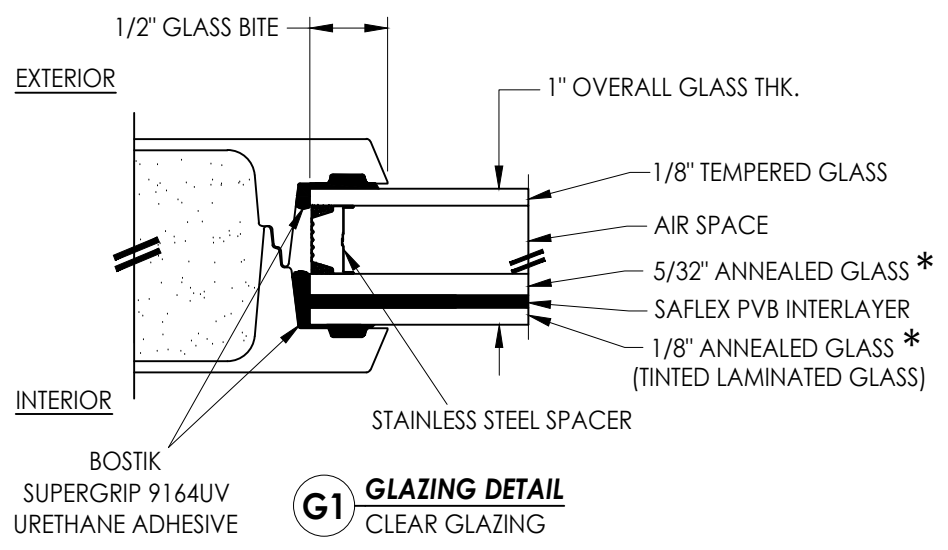
PRODUCT: THERMA-TRU  
FIBERGLASS DOOR  
PART OR ASSEMBLY:  
DOOR PANEL DETAILS

NO.	DATE	BY	REVISIONS

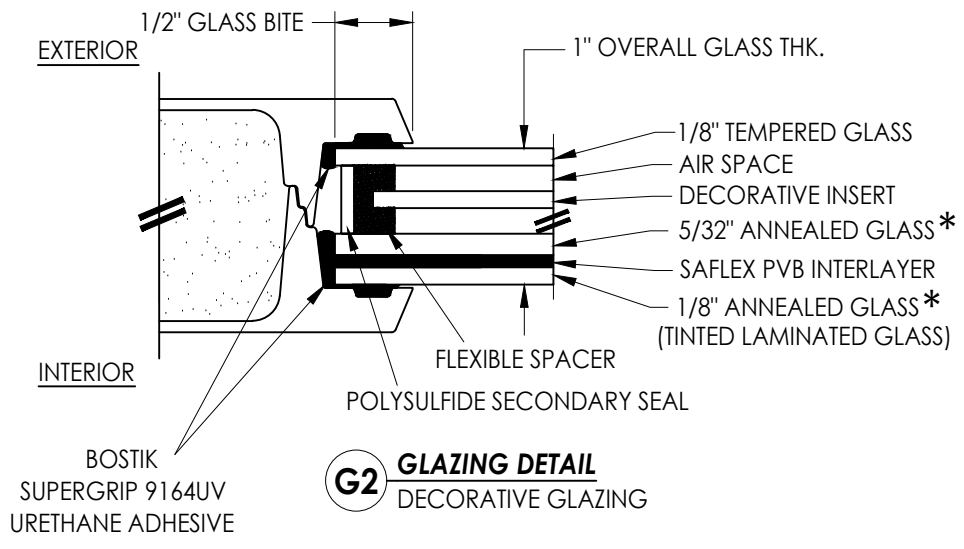
DATE: 6/17/24  
SCALE: N.T.S.  
DWG. BY: LFS  
CHK. BY: RW  
DRAWING NO.: FL-46832.4  
SHEET 2 OF 11



8'-0" FLUSH GLAZING



\* NOTE: THE LAMINATED GLASS MAY BE FLIPPED SO THAT THE 5/32" ANNEALED GLASS IS ADJACENT TO THE FLUSH GLAZING FRAME.



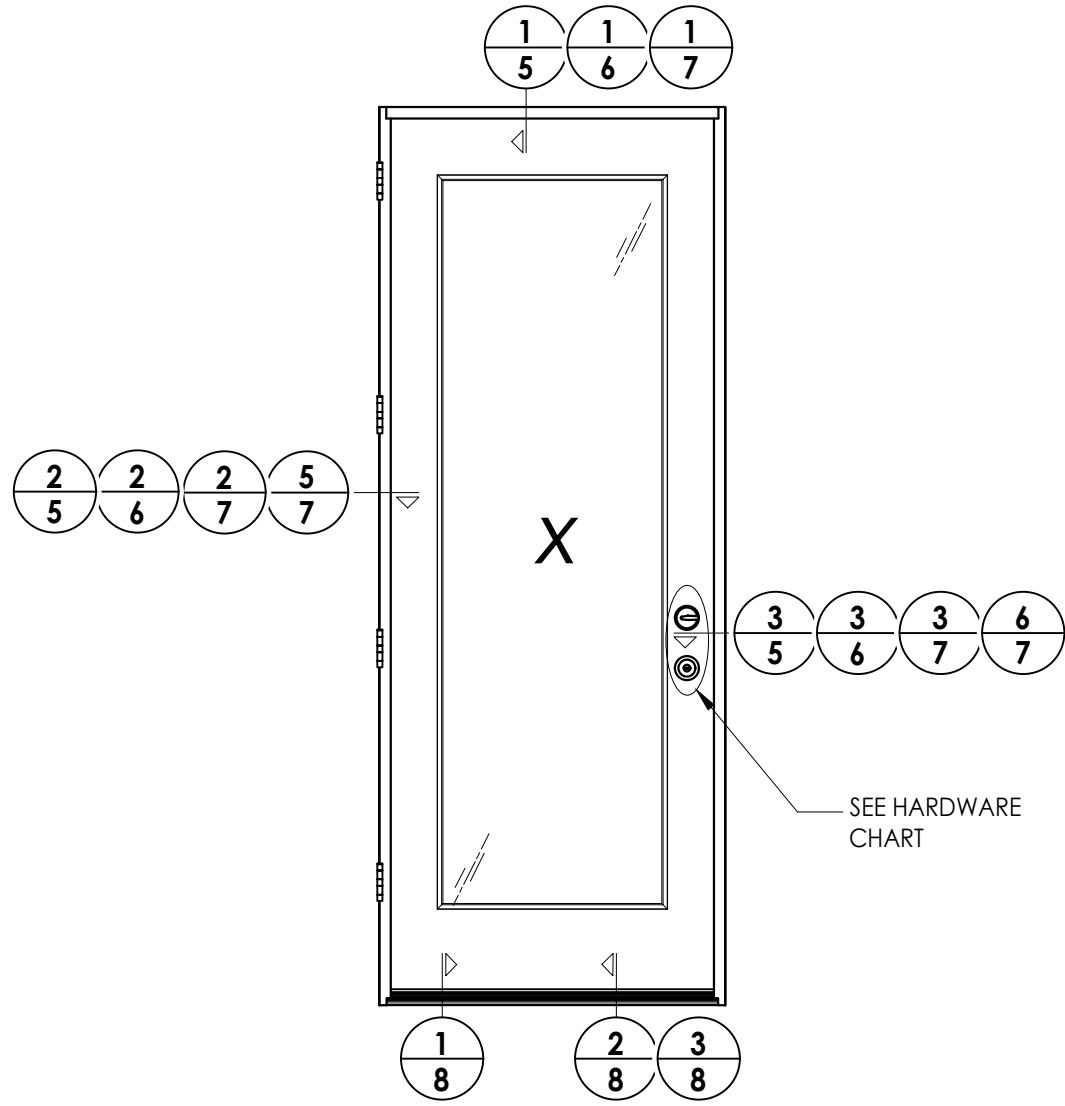
Documents Prepared By:  
Lyndon F. Schmidt  
P.E. No. 43409

**RW** BUILDING CONSULTANTS, INC.  
P.O. Box 230, Valrico, FL 33595  
Phone No.: 813.659.9197  
FBPE Registry No. 9813

PRODUCT:	THERMA-TRU FIBERGLASS DOOR
PART OR ASSEMBLY:	GLAZING DETAILS

NO.	DATE	BY	REVISIONS

DATE:	6/17/24
SCALE:	N.T.S.
DWG. BY:	LFS
CHK. BY:	RW
DRAWING NO.:	FL-46832.4
SHEET	3 OF 11



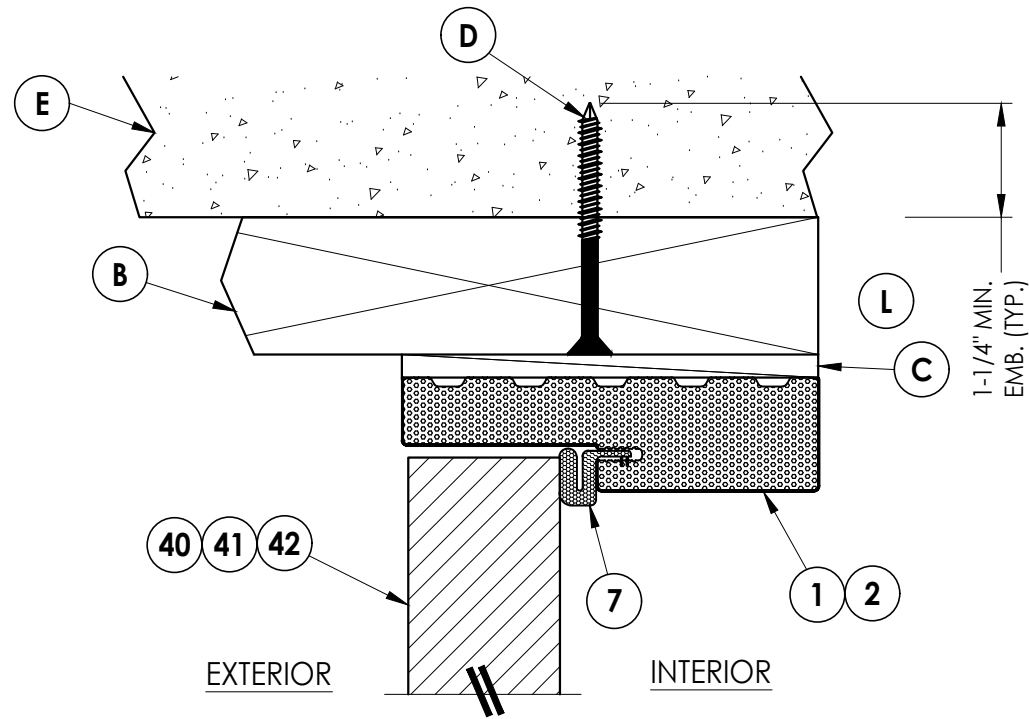
HARDWARE TABLE	
MANUFACTURER	MODEL
SCHLAGE	KNOB: F51 DEADBOLT: B60
KWIKSET	KNOB: SIGNATURE SERIES DEADBOLT: SIGNATURE SERIES (980)
HOPPE (THERMA-TRU)	MULTIPOINT : MPDGART (3 pt. Manual Tongue)

DATE: 6/17/24  
 SCALE: N.T.S.  
 DWG. BY: LFS  
 CHK. BY: RW  
 DRAWING NO.: FL-46832.4  
 SHEET 4 OF 11

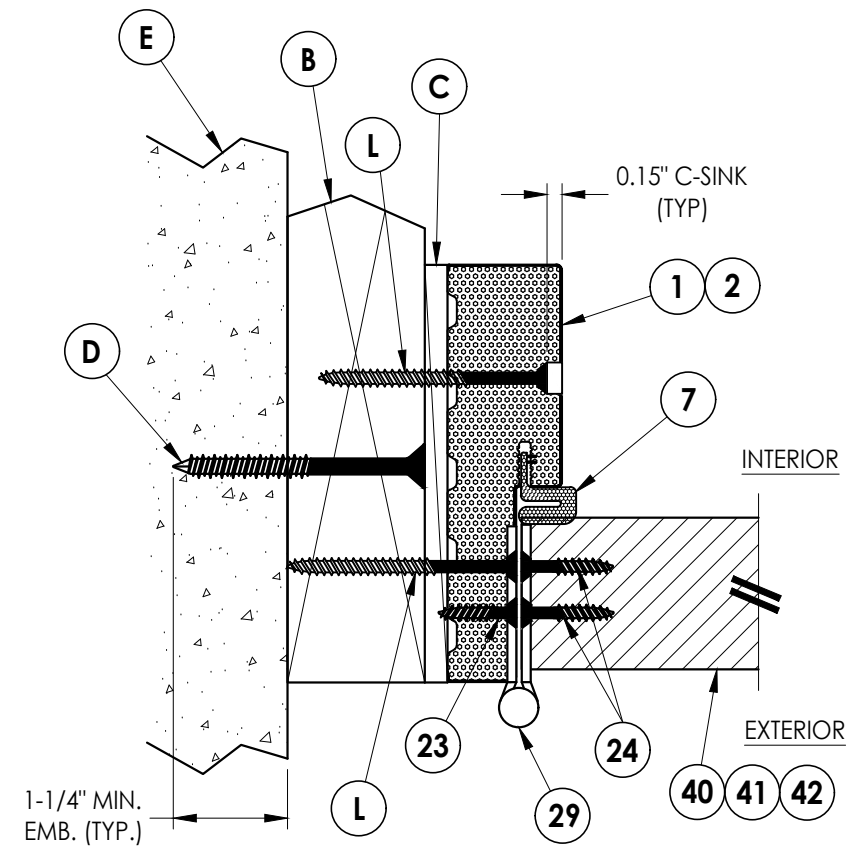
NO.	DATE	BY	REVISIONS

PRODUCT: THERMA-TRU  
 FIBERGLASS DOOR  
 PART OR ASSEMBLY:  
 ELEVATIONS

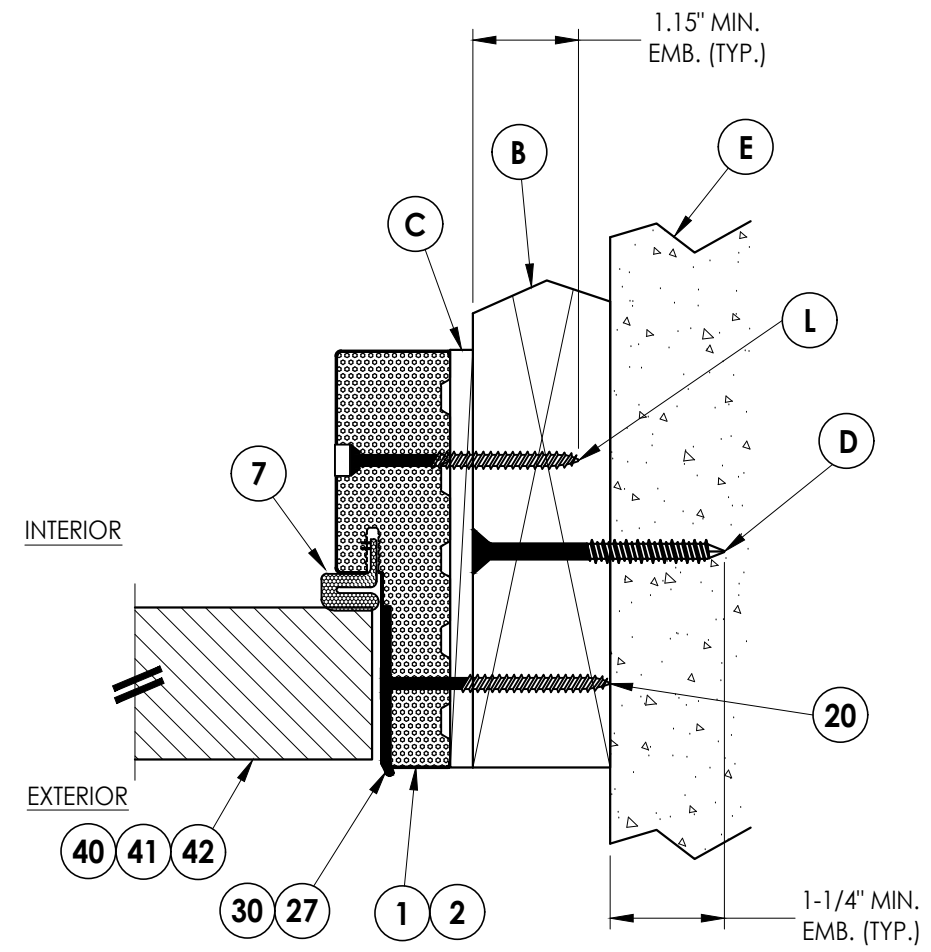
Documents Prepared By:  
 Lyndon F. Schmidt  
 P.E. No. 43409  
 RW BUILDING CONSULTANTS, INC.  
 P.O. Box 230, Valrico, FL 33595  
 Phone No.: 813.659.9197  
 FBPE Registry No. 9813



**1 VERTICAL CROSS SECTION**  
**5** Shown w/ 2X Buck  
 Outswing shown (Inswing similar)



**2 HORIZONTAL CROSS SECTION**  
**5** Shown w/ 2X Buck  
 Outswing shown (Inswing similar)



**3 HORIZONTAL CROSS SECTION**  
**5** Shown w/ 2X Buck  
 Outswing shown (Inswing similar)

Documents Prepared By:  
 Lyndon F. Schmidt  
 P.E. No. 43409

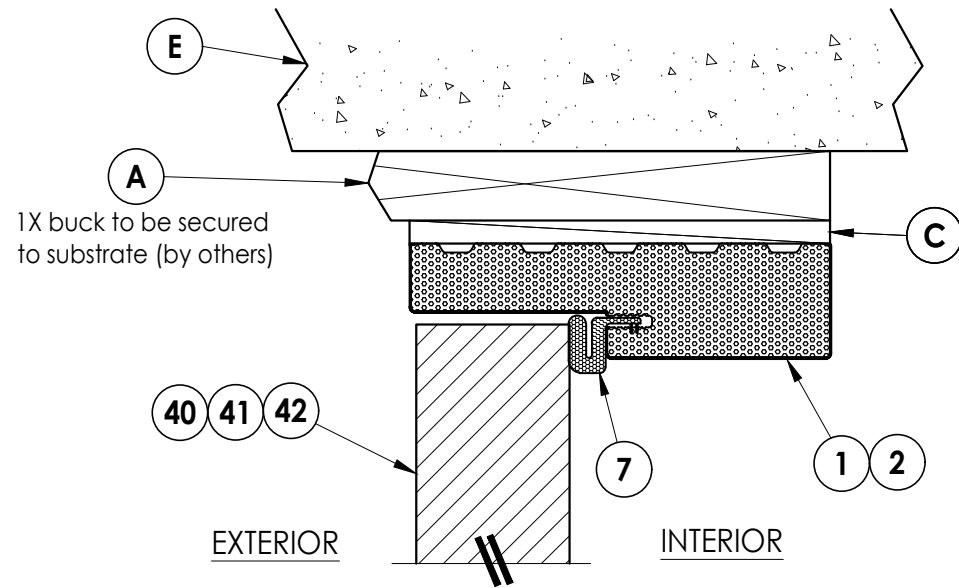
**RW** BUILDING CONSULTANTS, INC.  
 P.O. Box 230, Valrico, FL 33595  
 Phone No.: 813.659.9197  
 FBPE Registry No. 9813

PRODUCT:  
 THERMA-TRU  
 FIBERGLASS DOOR

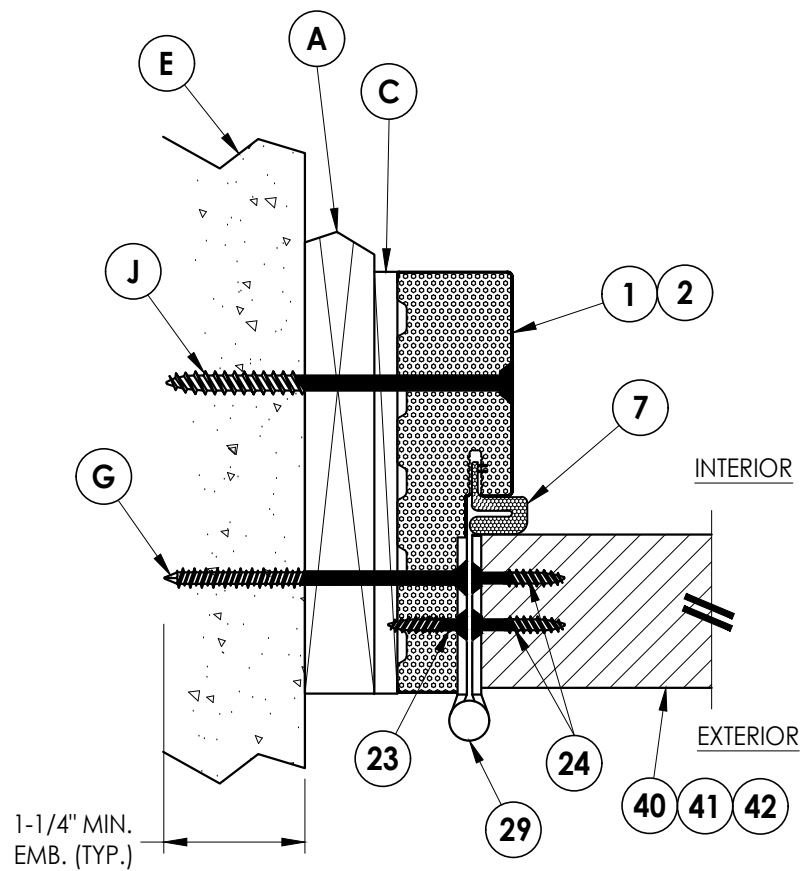
PART OR ASSEMBLY:  
 HORIZONTAL & VERTICAL  
 CROSS SECTIONS (2X BUCK)

NO.	DATE	BY	REVISIONS

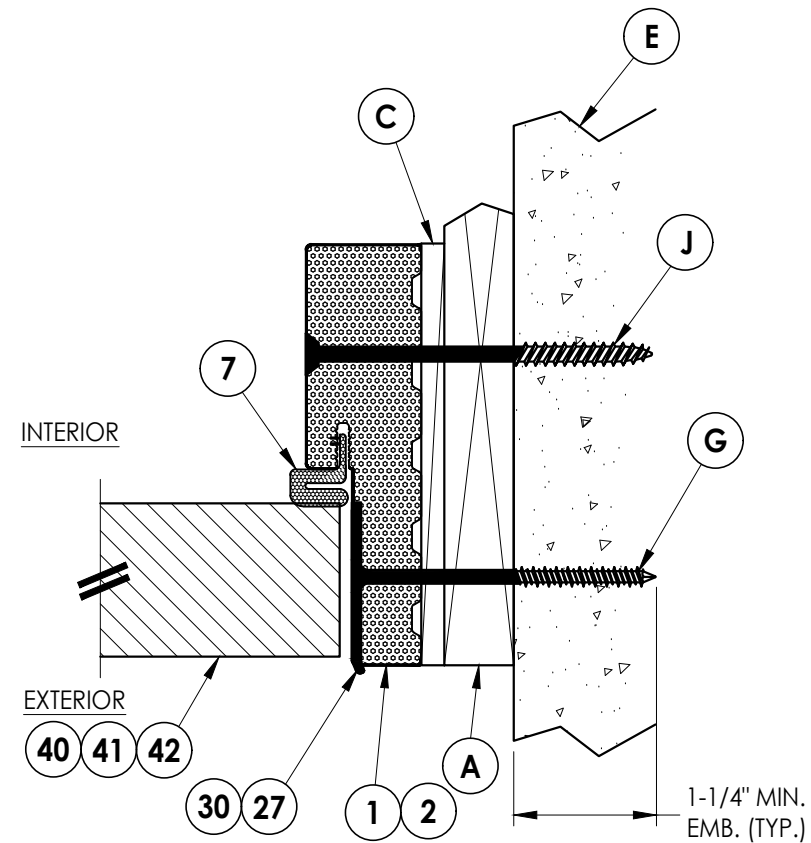
DATE: 6/17/24  
 SCALE: N.T.S.  
 DWG. BY: LFS  
 CHK. BY: RW  
 DRAWING NO.: FL-46832.4  
 SHEET 5 OF 11



**1 VERTICAL CROSS SECTION**  
 6 Shown w/ 1X sub-buck  
 Outswing shown (Inswing similar)



**2 HORIZONTAL CROSS SECTION**  
 6 Shown w/ 1X sub-buck  
 Outswing shown (Inswing similar)



**3 HORIZONTAL CROSS SECTION**  
 6 Shown w/ 1X sub-buck  
 Outswing shown (Inswing similar)

Documents Prepared By:  
 Lyndon F. Schmidt  
 P.E. No. 43409

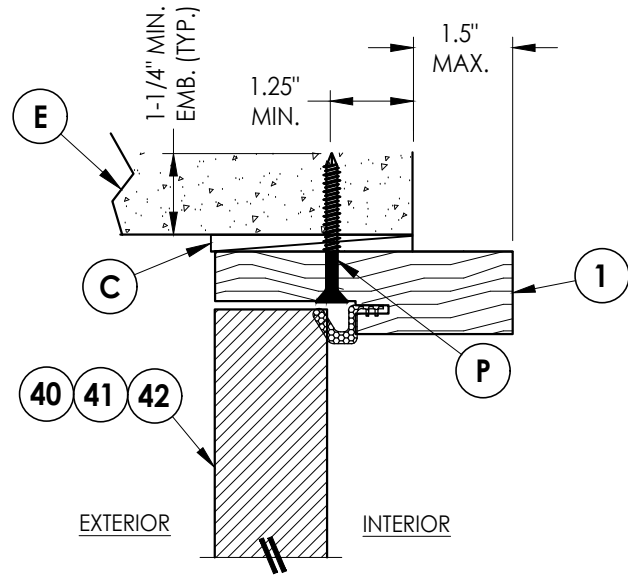
**RW** BUILDING CONSULTANTS, INC.  
 P.O. Box 230, Valrico, FL 33595  
 Phone No.: 813.659.9197  
 FBPE Registry No. 9813

PRODUCT:  
 THERMA-TRU  
 FIBERGLASS DOOR

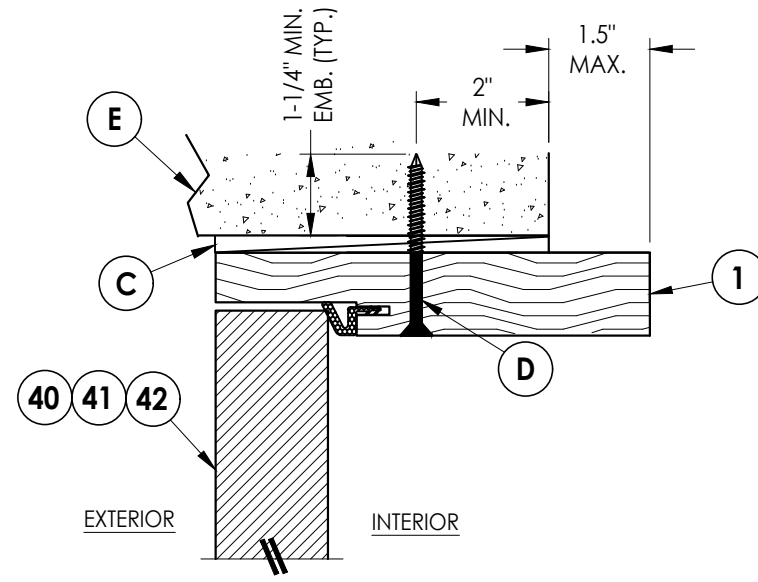
PART OR ASSEMBLY:  
 HORIZONTAL & VERTICAL  
 CROSS SECTIONS (1X BUCK)

NO.	DATE	BY	REVISIONS

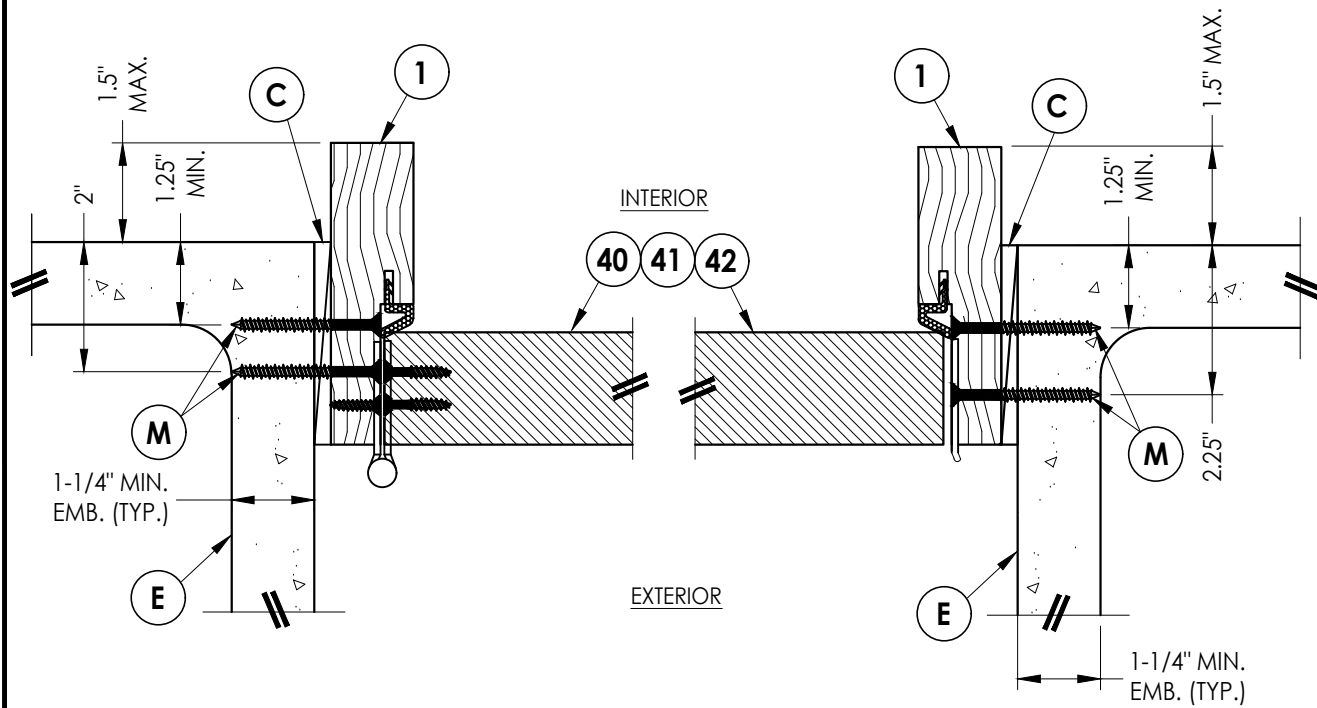
DATE: 6/17/24  
 SCALE: N.T.S.  
 DWG. BY: LFS  
 CHK. BY: RW  
 DRAWING NO.:  
 FL-46832.4  
 SHEET 6 OF 11



**1** **VERTICAL CROSS SECTION**  
**7** Shown Direct to Masonry  
 Outswing only w/ 4-9/16" jamb

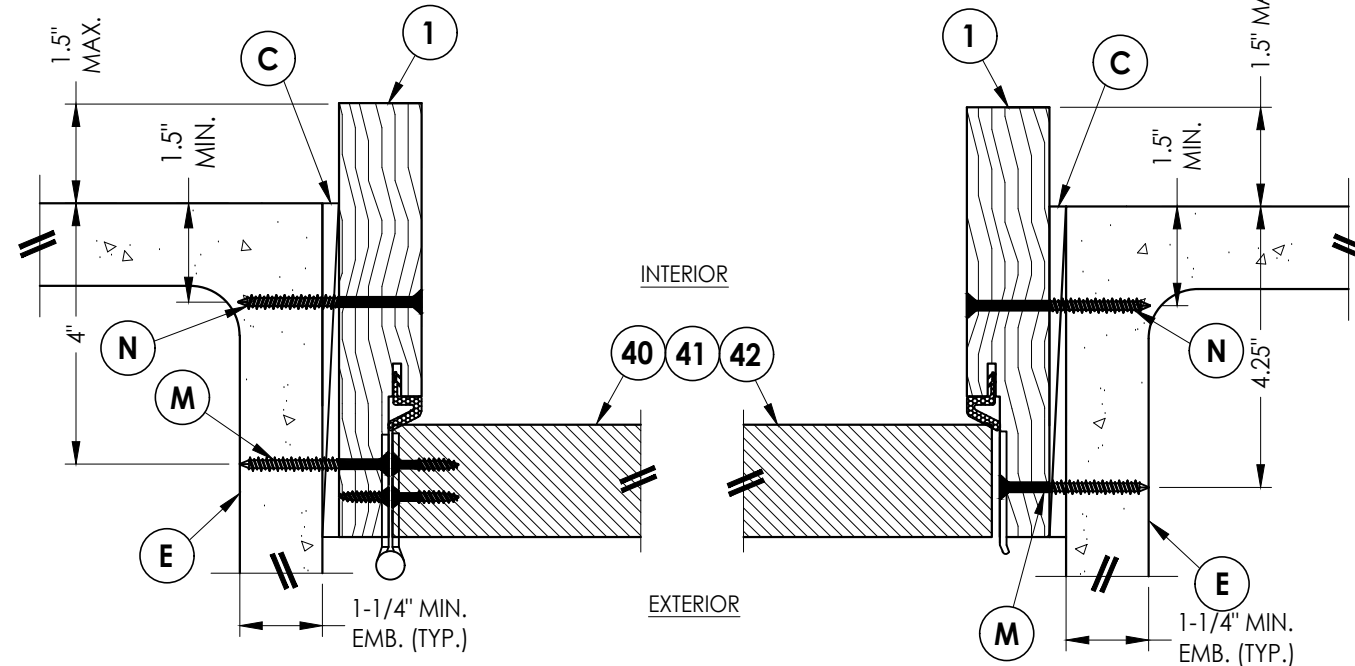


**4** **VERTICAL CROSS SECTION**  
**7** Shown Direct to Masonry  
 Outswing only w/ 6-9/16" jamb



**2** **HORIZONTAL CROSS SECTION**  
**7** Shown Direct to Masonry  
 Outswing only w/ 4-9/16" jamb

**3** **HORIZONTAL CROSS SECTION**  
**7** Shown Direct to Masonry  
 Outswing only w/ 4-9/16" jamb



**5** **HORIZONTAL CROSS SECTION**  
**7** Shown Direct to Masonry  
 Outswing only w/ 6-9/16" jamb

**6** **HORIZONTAL CROSS SECTION**  
**7** Shown Direct to Masonry  
 Outswing only w/ 6-9/16" jamb

Documents Prepared By:  
 Lyndon F. Schmidt  
 P.E. No. 43409

**RW** BUILDING CONSULTANTS, INC.  
 P.O. Box 230, Valrico, FL 33595  
 Phone No.: 813.659.9197  
 FBPE Registry No. 9813

PRODUCT:  
 THERMA-TRU  
 FIBERGLASS DOOR

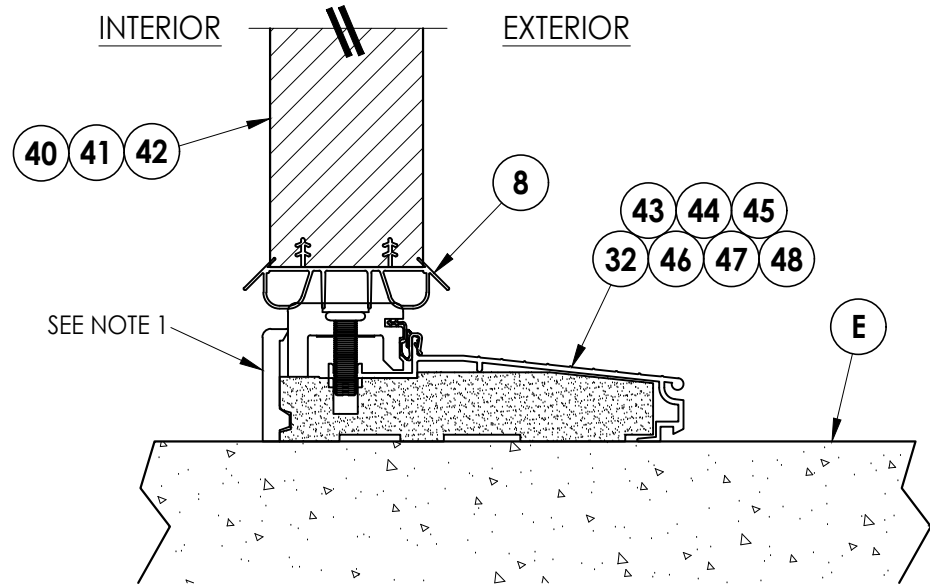
PART OR ASSEMBLY:  
 HORIZONTAL & VERTICAL  
 SECTIONS (DIRECT TO MASONRY)

NO.	DATE	BY	REVISIONS

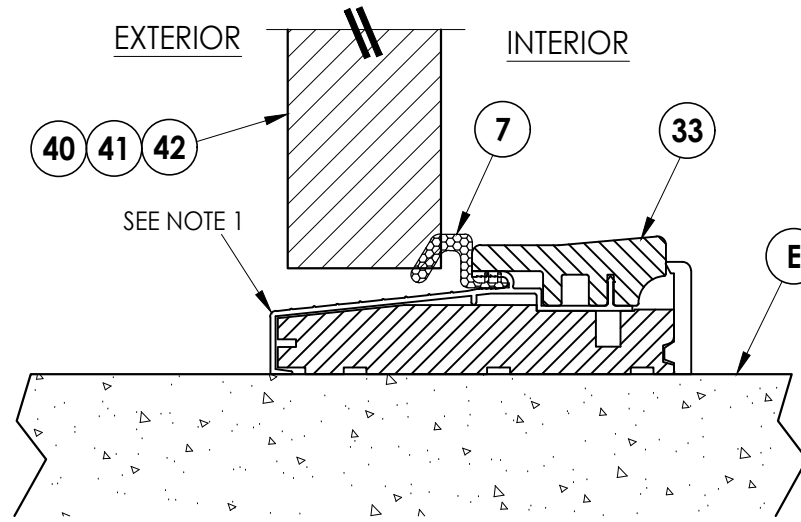
DATE: 6/17/24  
 SCALE: N.T.S.  
 DWG. BY: LFS  
 CHK. BY: RW  
 DRAWING NO.: FL-46832.1  
 SHEET 7 OF 11

Note:

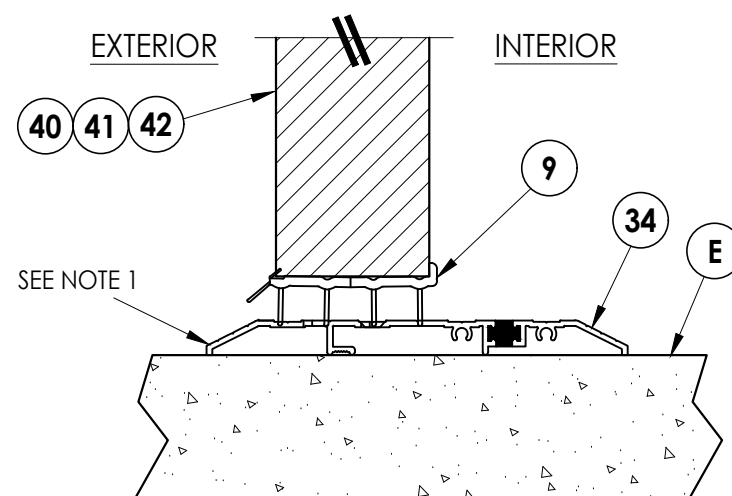
- 1. Sill Item #32, #43-48 are attached to jambs w/ (3) #8 X 2-1/2" pfh screws at each end.
- Sill Item #33 is attached to jambs w/ (2) #8 X 2-1/2" pfh screws at each end.
- Sill Item #34 is attached to jambs utilizing (2) #10 X 2" pph SMS at each end.



**1** VERTICAL CROSS SECTION  
**8** Inswing Sill



**2** VERTICAL CROSS SECTION  
**8** Outswing Sill



**3** VERTICAL CROSS SECTION  
**8** Public Access Sill

Documents Prepared By:  
Lyndon F. Schmidt  
P.E. No. 43409

**RW** BUILDING CONSULTANTS, INC.  
P.O. Box 230, Valrico, FL 33595  
Phone No.: 813.659.9197  
FBPE Registry No. 9813

PRODUCT:  
THERMA-TRU  
FIBERGLASS DOOR

PART OR ASSEMBLY:  
VERTICAL CROSS  
SECTIONS (THRESHOLDS)

NO.	DATE	BY	REVISIONS

DATE: 6/17/24  
SCALE: N.T.S.  
DWG. BY: LFS  
CHK. BY: RW  
DRAWING NO.:  
FL-46832.4  
SHEET 8 OF 11

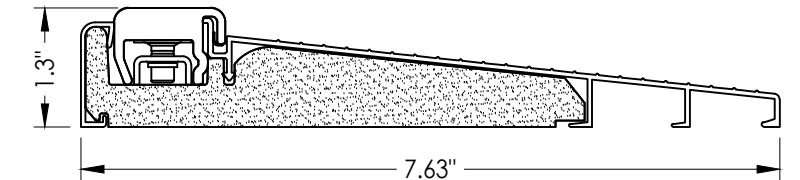
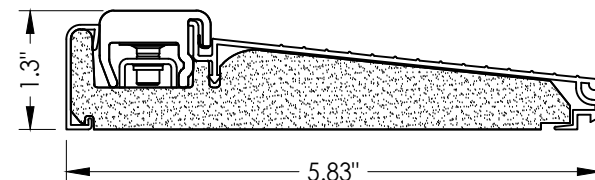
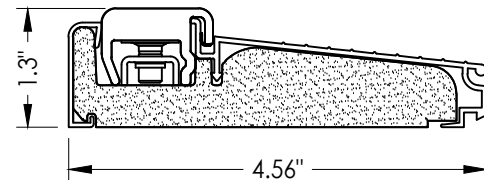
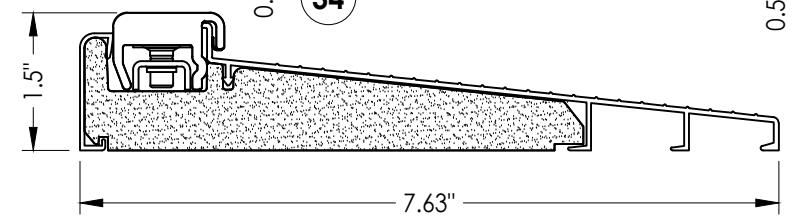
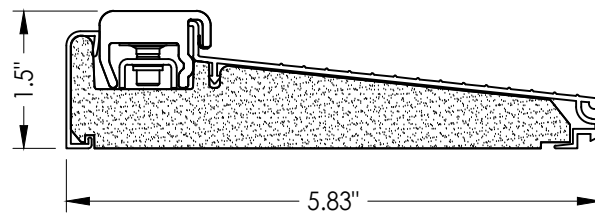
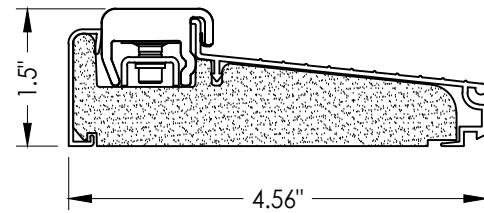
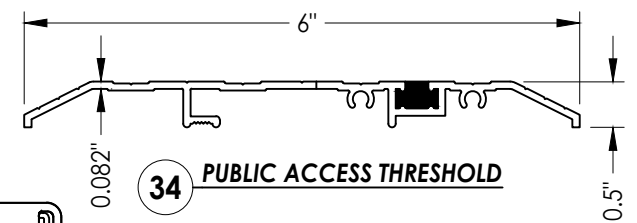
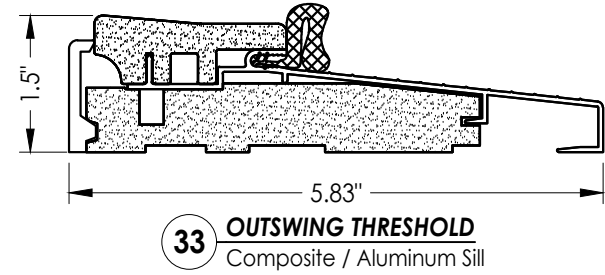
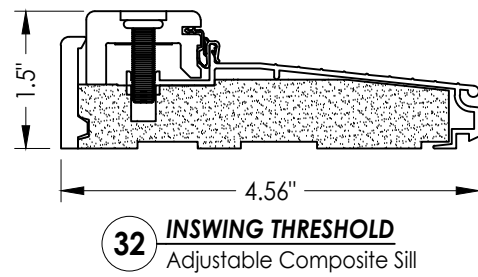
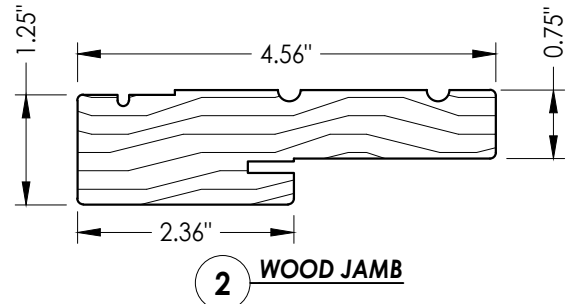
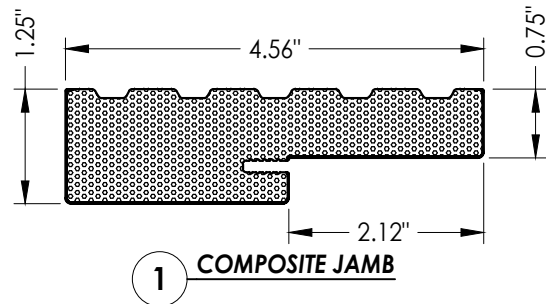
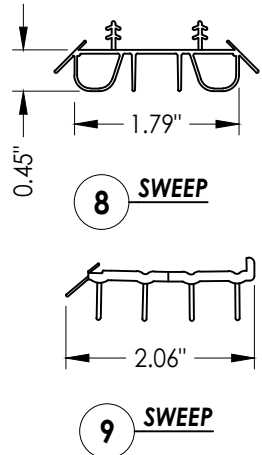






BILL OF MATERIALS		
ITEM #	DESCRIPTION	MATERIAL
A	1X BUCK (G >= 0.42)	WOOD
B	2X BUCK (G >= 0.42)	WOOD
C	1/4" MAX. SHIM SPACE	-
D	1/4" X 2-3/4" PFH DeWALT OR ITW CONCRETE SCREW	STEEL
E	MASONRY - 3,000 PSI MIN. CONCRETE CONFORMING TO ACI 301 OR HOLLOW BLOCK CONFORMING TO ASTM C90	CONCRETE
F	#10 X 2" PFH WOOD SCREW	STEEL
G	3/16" X 3-1/4" PFH ITW CONCRETE SCREW	STEEL
J	1/4" X 3-3/4" PFH DeWALT OR ITW CONCRETE SCREW	STEEL
L	#10 X 2-1/2" PFH WOOD SCREW (1.15" MIN. EMBEDMENT)	STEEL
M	3/16" X 2-1/4" ITW CONCRETE SCREW	STEEL
N	3/16" X 2-3/4" ITW CONCRETE SCREW	STEEL
P	1/4" X 2-3/4" PFH ELCO CONCRETE SCREW	STEEL
1	COMPOSITE JAMB	COMP
2	WOOD JAMB (FINGER JOINT PINE)	WOOD
7	WEATHERSTRIP	FOAM
8	DOOR SWEEP	VINYL
9	SWEEP (USE w/ PUBLIC ACCESS THRESHOLD)	VINYL
20	#8 X 2-1/2" PFH WOOD SCREW	STEEL
21	#12 X 2-1/2" PFH WOOD SCREW	STEEL
22	#8 X 3/4" PFH WOOD SCREW	STEEL
23	#9 X 3/4" PFH WOOD SCREW	STEEL
24	#9 X 1" PFH WOOD SCREW	STEEL

BILL OF MATERIALS		
ITEM #	DESCRIPTION	MATERIAL
26	#8 X 5/8" PFH WOOD SCREW	STEEL
27	LATCH STRIKE PLATE	STEEL
28	DEADBOLT STRIKE PLATE	STEEL
28A	DEADBOLT SUB-STRIKE PLATE	STEEL
29	4" X 4" HINGE	STEEL
30	MULTIPOINT LATCH & DEADBOLT STRIKE PLATE	STEEL
31	MULTIPOINT TONGUE STRIKE PLATE	STEEL
32	INSWING THRESHOLD	ALUM/COMP
33	OUTSWING THRESHOLD	ALUM/COMP
34	PUBLIC ACCESS THRESHOLD	ALUM
40	DOOR PANEL (BOOK)	-
41	DOOR PANEL (HYBRID)	-
42	DOOR PANEL (U1)	-
43	INSWING THRESHOLD	ALUM/COMP
44	INSWING THRESHOLD	ALUM/COMP
45	INSWING THRESHOLD	ALUM/COMP
46	INSWING THRESHOLD	ALUM/COMP
47	INSWING THRESHOLD	ALUM/COMP
48	INSWING THRESHOLD	ALUM/COMP



**CONCRETE ANCHOR NOTES:**

- Concrete anchor locations at the corners may be adjusted to maintain the min. edge distance to mortar joints.
- Concrete anchor locations noted as "MAX. ON CENTER" must be adjusted to maintain the min. edge distance to mortar joints, additional concrete anchors may be required to ensure the "MAX. ON CENTER" dimension are not exceeded.
- Concrete anchor table:

ANCHOR TYPE	ANCHOR SIZE	MIN. EMBEDMENT	MIN. CLEARANCE TO MASONRY EDGE	MIN. CLEARANCE TO ADJACENT ANCHOR
ITW TAPCON®	1/4"	1-1/4"	2"	4"
DeWALT ULTRACON®	1/4"	1-1/4"	1"	4"
ITW TAPCON®	3/16"	1-1/4"	AS SHOWN	AS SHOWN

**WOOD SCREW INSTALLATION NOTES:**

- Maintain a minimum 5/8" edge distance, 1" end distance, & 1" o.c. spacing of wood screws to prevent the splitting of wood.

Documents Prepared By:

**RW** BUILDING CONSULTANTS, INC.  
P.O. Box 230 Vairico FL. 33595  
Phone No.: 813.659.9197  
Florida Board of Professional Engineers  
Certificate Of Authorization No. 98113

PRODUCT: THERMA-TRU FIBERGLASS DOOR

PART OR ASSEMBLY: BILL OF MATERIALS & COMPONENTS

NO.	DATE	REVISIONS	BY

DATE: 6/17/24  
SCALE: N.T.S.  
DWG. BY: LFS  
CHK. BY: RW  
DRAWING NO.: FL-46832.4  
SHEET 11 OF 11